

超小型大功率继电器

Subminiature High Power Relay

2x10A

特性 / FEATURES

- 体积小
Small size
- 双常开触点
Double NO contacts
- 标准的端子位置
Standard terminal pitch employed
- 密封型和防焊剂型可供选择
Sealed and flux proofed types available



RoHS
Compliant

订购信息 / ORDERING INFORMATION

SRA-12VDC-S L-U

U	触点形式 Contact Arrangement
L 0.6W / D 0.8W	线圈功率 Coil Power
S 密封/Sealed F 防焊剂/Flux proofed	封装形式 Construction
5/6/9/12/18/24VDC	线圈电压 Coil Voltage
	型号 Model

触点参数 / CONTACT PARAMETERS

触点形式	Contact arrangement	U
接触电阻	Contact resistance	≤100mΩ (1A 6VDC)
触点材质	Contact material	银合金/Silver alloy: AgSnO ₂ In ₂ O ₃ , AgSnO ₂ , AgNi
触点负载(阻性)	Contact rating(Res. load)	2x10A 125VAC, 2x10A 14VDC
最大切换电压	Max switching voltage	220VAC/16VDC
最大切换电流	Max switching current	2x10A
最大切换功率	Max switching power	2200VA/320W
电耐久性 (频率:每小时360次)	Electrical endurance (Frequency:360 ops/h)	1x10 ⁵ ops / 1x10 ⁴ ops
机械耐久性 (频率:每小时18000次)	Mechanical endurance (Frequency:18000 ops/h)	1x10 ⁷ ops

SRA-U (T74-U) Series

超小型大功率继电器 Subminiature High Power Relay

2x10A

特性参数 / CHARACTERISTICS PARAMETERS

绝缘等级	Insulation level			B/F
绝缘电阻	Insulation resistance			100MΩ(500VDC)
介质耐压 (漏电流 1mA)	Dielectric strength (Leakage current 1mA)	线圈与触点间 Between coil and contacts	1500VAC 1min	
		断开触点间 Between open contacts	1000VAC 1min	
吸合时间(额定电压下)	Operate time(at nominal voltage)			≤10ms
释放时间(额定电压下)	Release time (without diode)(at nominal voltage)			≤5ms
湿度	Humidity			5% ~ 85% RH
环境温度(°C)	Ambient temperature			-40°C ~ +85°C/+105°C
抗冲击	Shock resistance	稳定性/Functional	98m/s ²	
		强度/Destructive	980m/s ²	
抗振动(双振幅)	Vibration resistance (Double amplitude)			10Hz~55Hz 1.5mm
重量	Weight			约/Approx 6g
封装形式	Construction			密封/Sealed 防焊剂/Flux proofed

备注: 以上数据均为初始值

Remark: All above data is initial value

线圈参数 / COIL PARAMETERS

常温/At (23°C)

功耗(W)	Power consumption(W)	0.60W(L)						0.80W(D)					
		05	06	09	12	18	24	05	06	09	12	18	24
额定电压(VDC)	Nominal voltage(VDC)	05	06	09	12	18	24	05	06	09	12	18	24
线圈电阻(Ω±10%)	Coil resistance(Ω±10%)	42	60	135	240	540	960	31.25	45	101	180	405	720
吸合电压(Max)	Pick-up voltage(Max)	75% 额定电压(Nominal voltage)											
释放电压(Min)	Drop-out voltage(Min)	10% 额定电压(Nominal voltage)											
允许最大电压(VDC)	Max allowable overdrive voltage(VDC)	130% 额定电压(Nominal voltage)											

安全认证(相关认证以第三方认证证书为准) / SAFETY APPROVAL RATINGS

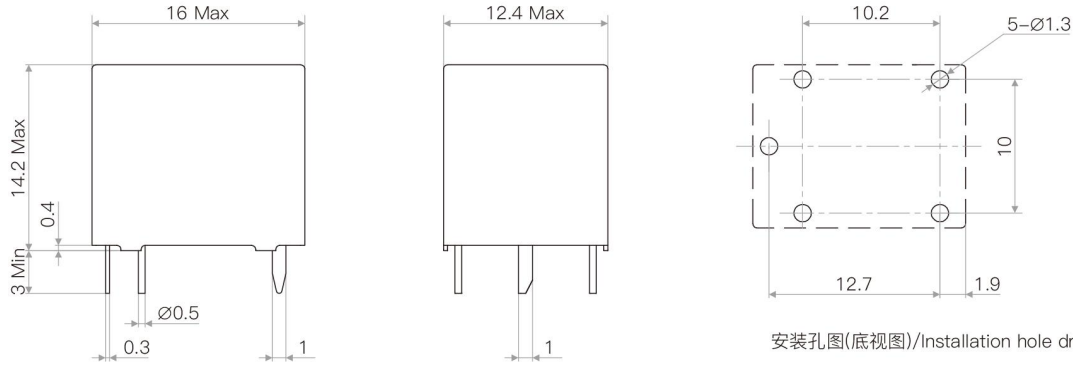


超小型大功率继电器 Subminiature High Power Relay

2x10A

外形图 / OUTLINE DIMENSIONS

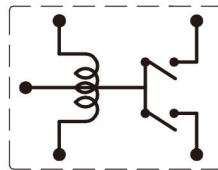
单位/Unit(mm)



安装孔图(底视图)/Installation hole drawing(Bottom view)

未注公差/Tolerance:±0.1

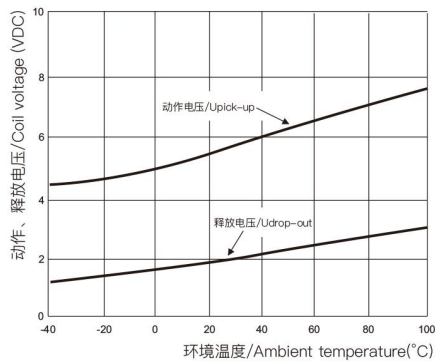
线路图(底视图) / WIRING DIAGRAM (BOTTOM VIEW)



U型/U type

性能曲线图 / CHARACTERISTIC CURVES

动作、释放电压温度特性
Pick-up & drop-out voltage-ambient temperature characteristic



SRA-12VDC-SL-U

线圈温升
Coil temperature rise

